

TITLE: Microcontroller		REV: 1.0
EasyEDA	Company: Simply Connected LLC	Sheet: 1/3
	Date: 2022-02-12	Drawn By: Erik Wachlin

1 2 3 4 5

A

A

B

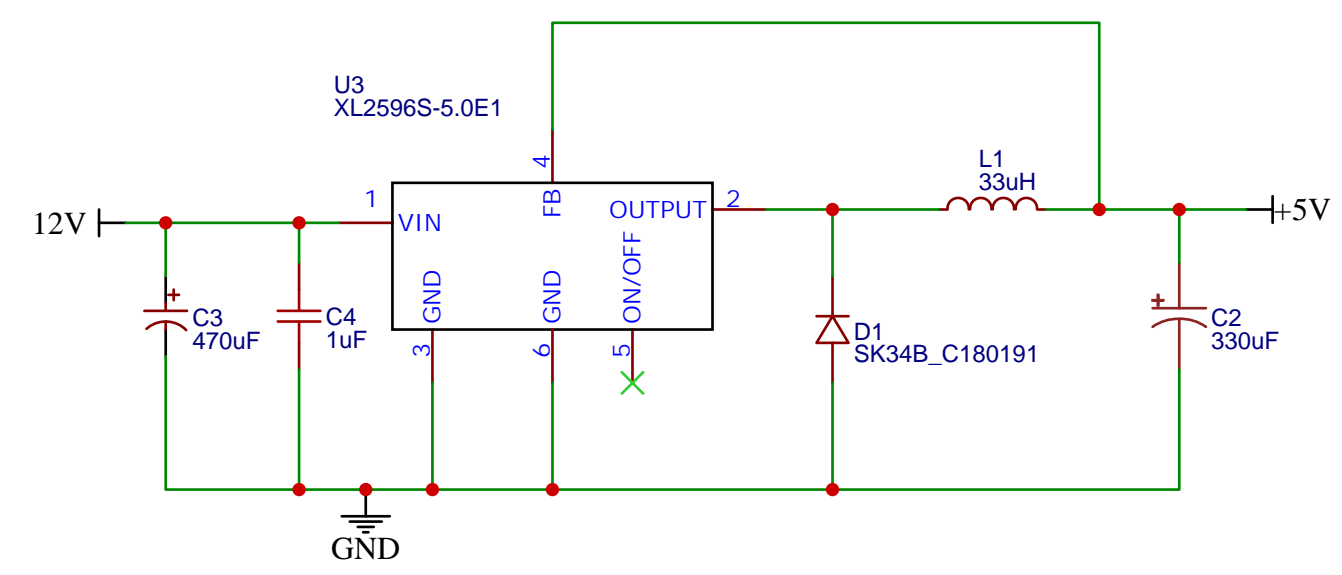
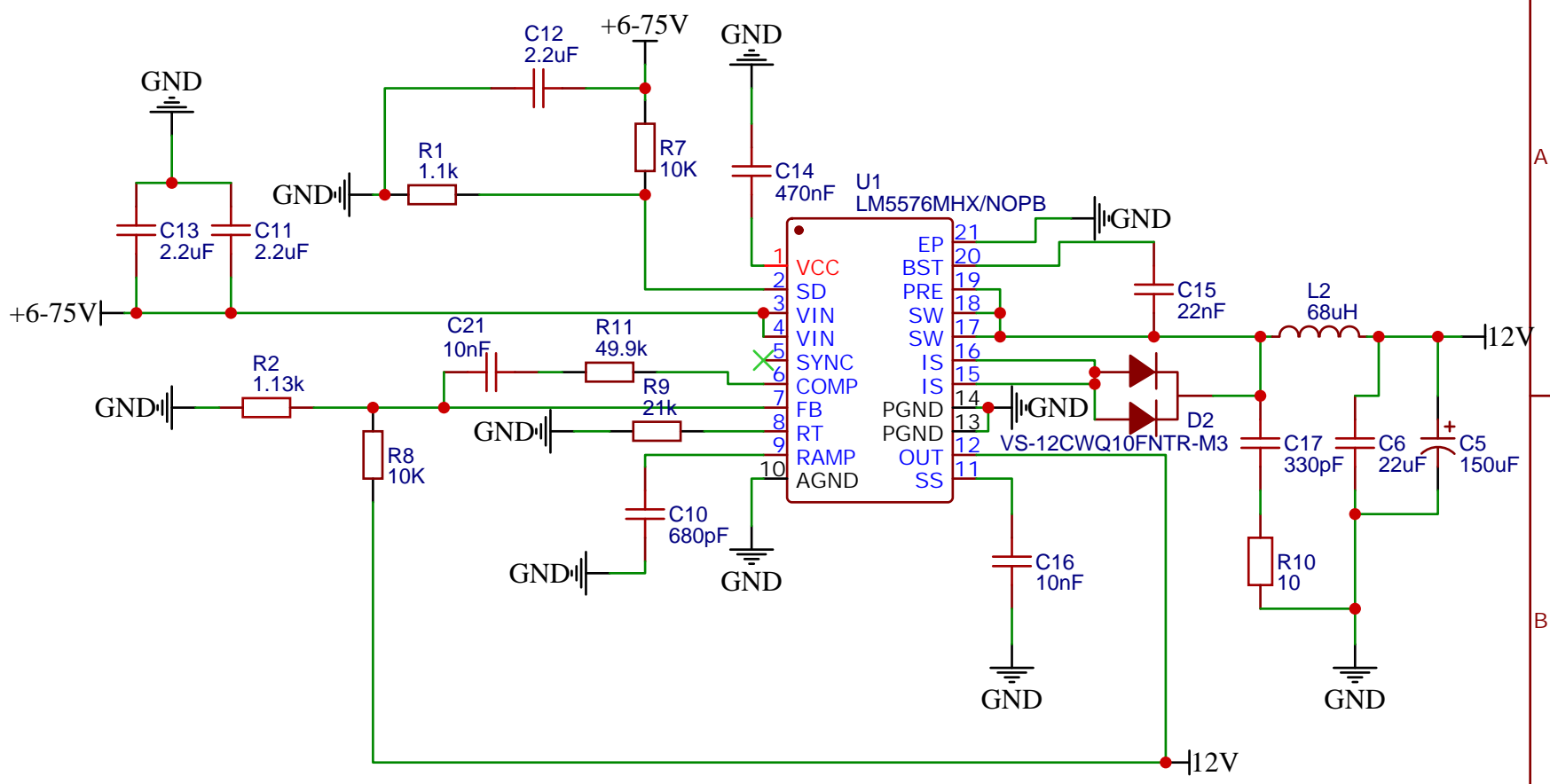
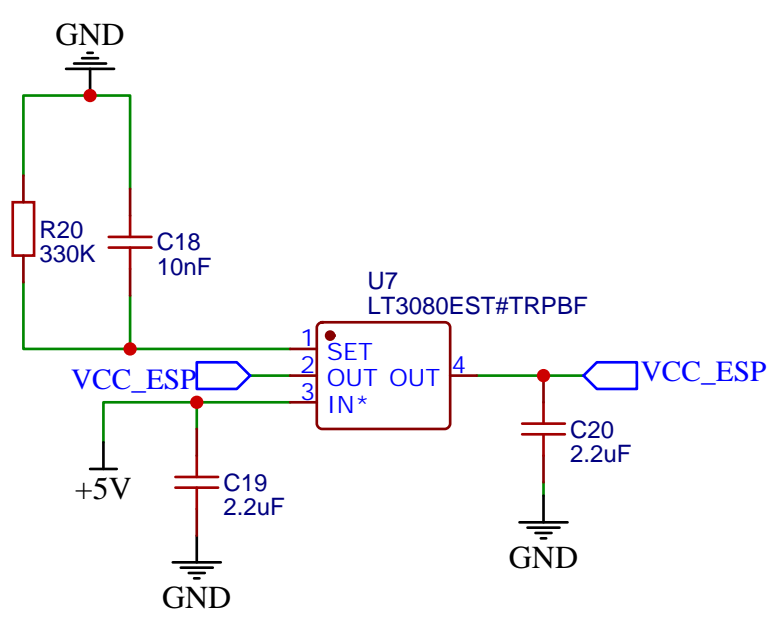
B

C

C

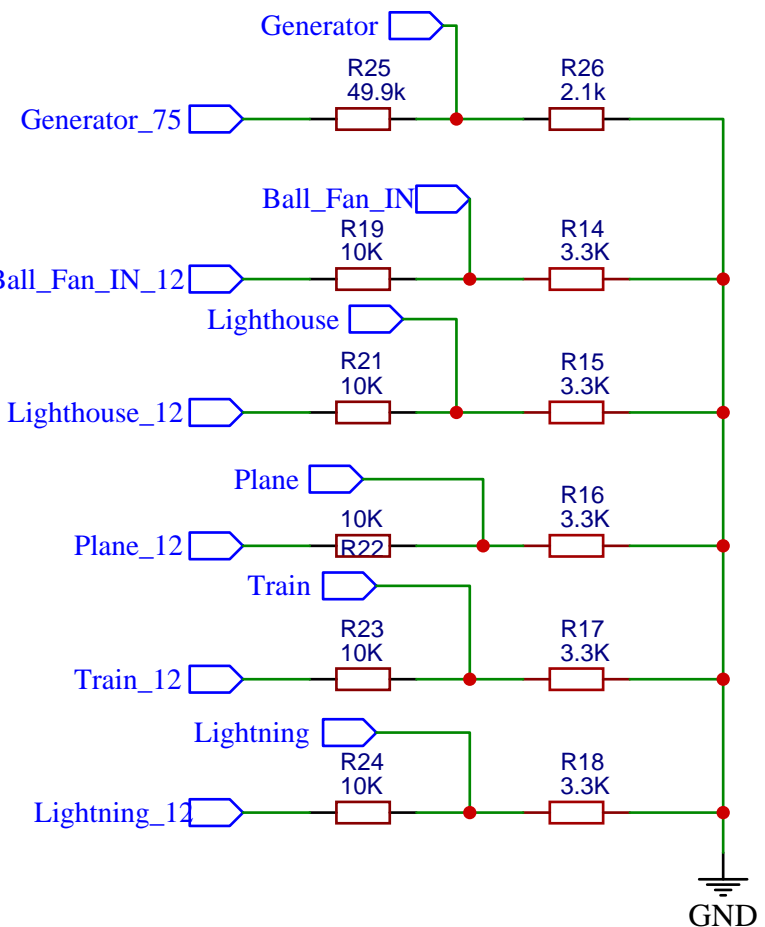
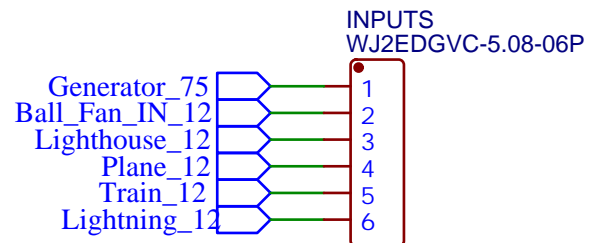
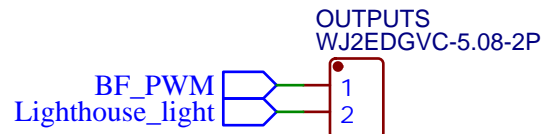
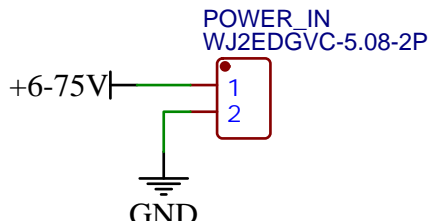
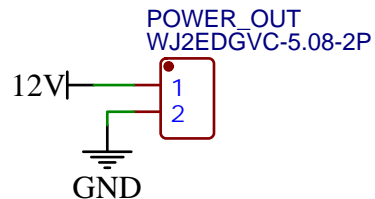
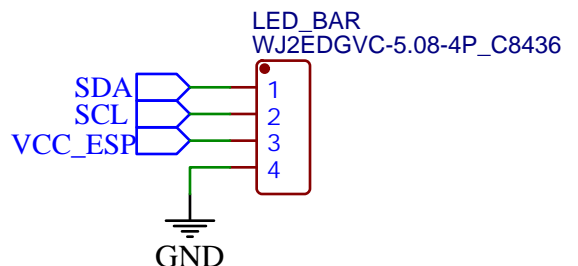
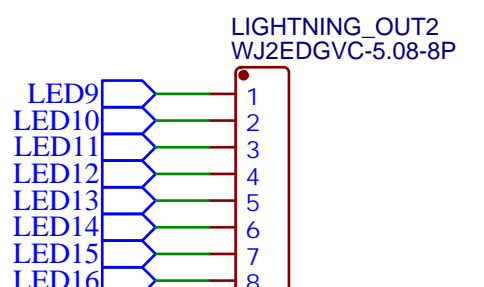
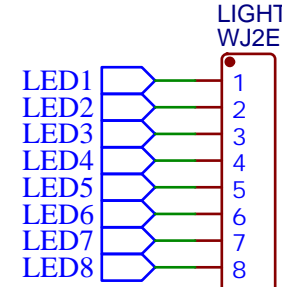
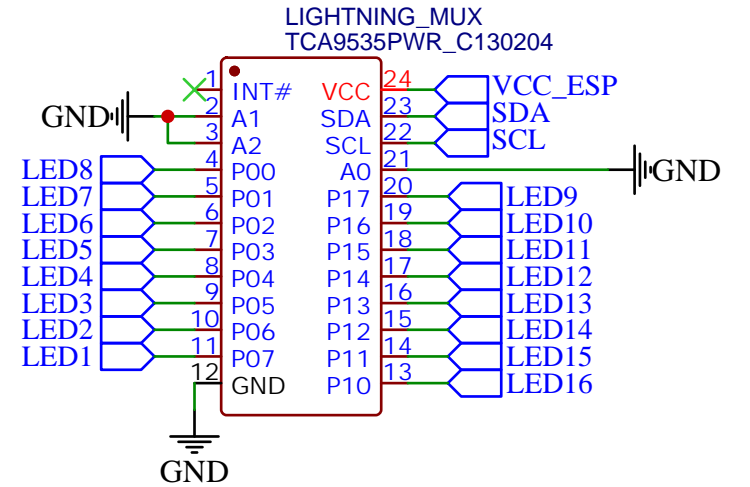
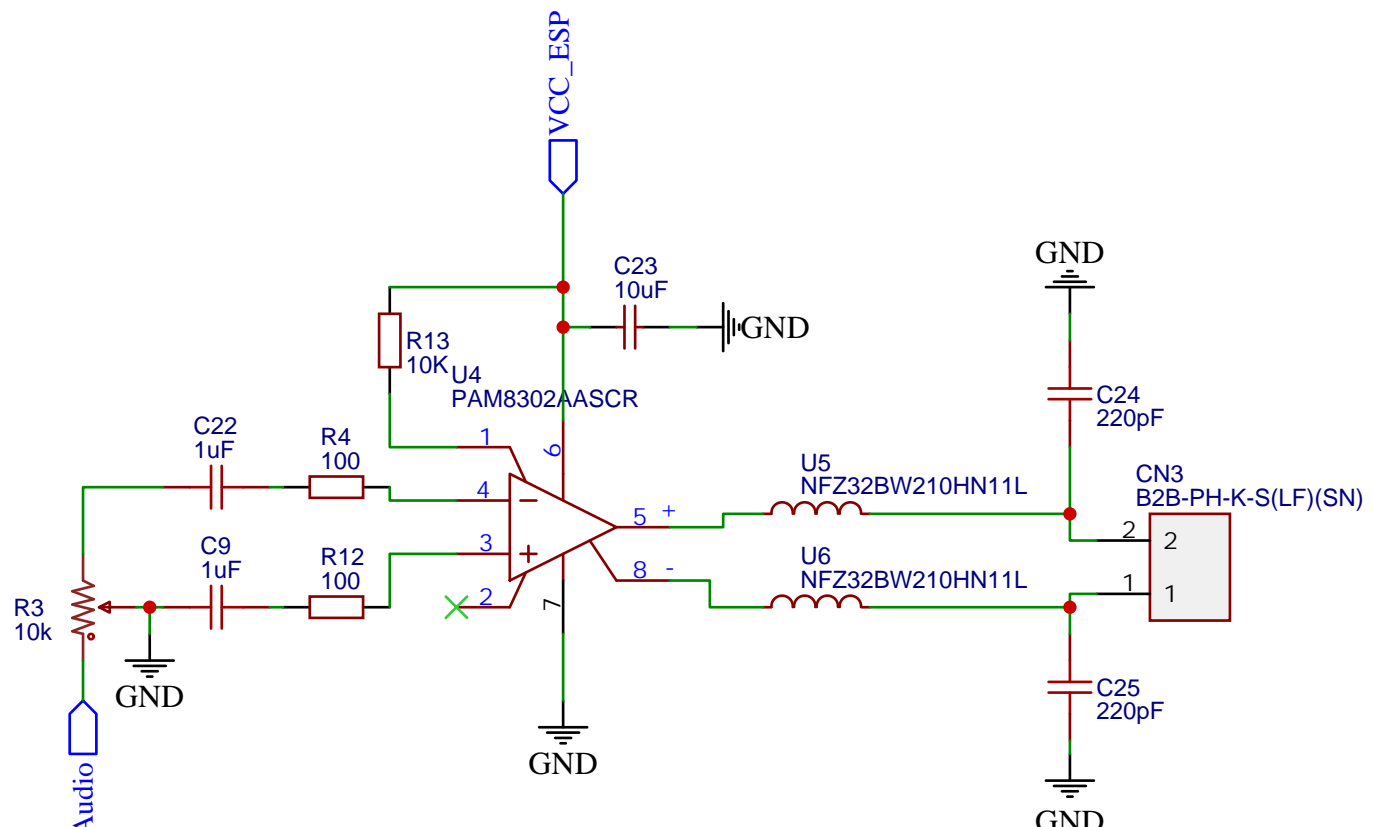
D

D



TITLE: Voltage Regulators		REV: 1.0
	Company: Simply Connected LLC	Sheet: 2/3
	Date: 2022-02-12	Drawn By: Erik Wachlin

1 2 3 4 5



TITLE: Inputs/Outputs		REV: 1.0
EasyEDA	Company: Simply Connected LLC	Sheet: 3/3
	Date: 2022-02-12	Drawn By: Erik Wachlin